

STONE ANCHORS

Stainless steel anchors for stone veneer facades

PROSOCO Stone Anchors attach dimensional stone panels or terra cotta to a backup structure of masonry, concrete, or stud. All stocked strap anchors are 1/8-inch thick and packaged in a convenient 25 piece box, keeping quantity ready for same-day shipment anywhere in the United States. Other sizes and types of stone anchors are available upon request.



MANY CONFIGURATIONS



**CORROSION RESISTANT
304 STAINLESS STEEL**



**WIND LOAD
RESISTANCE**



**ATTACHES STONE PANELS
OR TERRA COTTA**



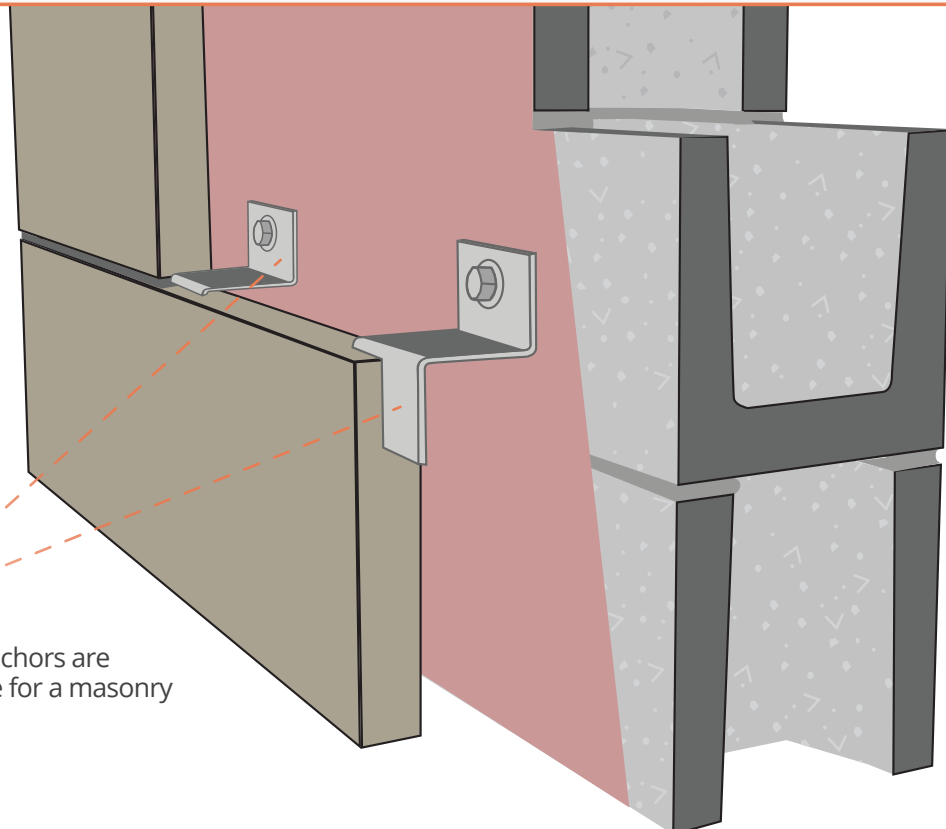
**MAXIMUM THREAD LENGTH
FOR FIELD ADJUSTMENTS**

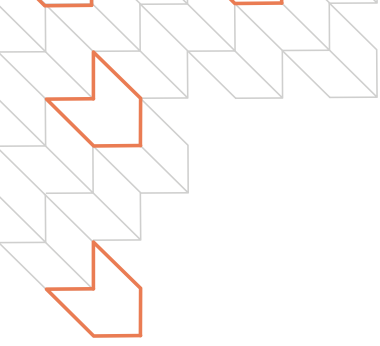


**QUICKLY ANCHORS
COPING STONES**

Z-Strap Anchors

Spit-tail, L-strap, and Z-strap anchors are produced with a 5/16-inch hole for a masonry fastener.





KEY FEATURES

Superior Strength: manufactured using high-quality, corrosion-resistant stainless steel for long-lasting performance in even the most demanding environments.

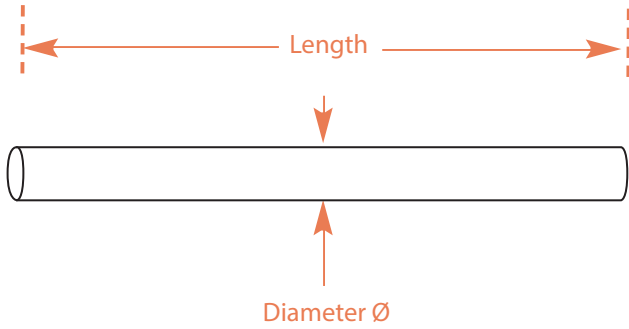
Versatile Application: Our stone anchors come in various standard lengths and shapes to accommodate a wide variety of applications. Custom sizes can be manufactured upon request for non-standard situations.

Easy Installation: PROSOCO Stone Anchors feature a user-friendly design with pre-drilled holes. The anchors can be used with any type of masonry fastener, depending on the specific requirements of your project.

Secure Connection: PROSOCO Stone Anchors ensure a secure and stable connection between the masonry veneer and the substrate, preventing shifting or detachment over time.

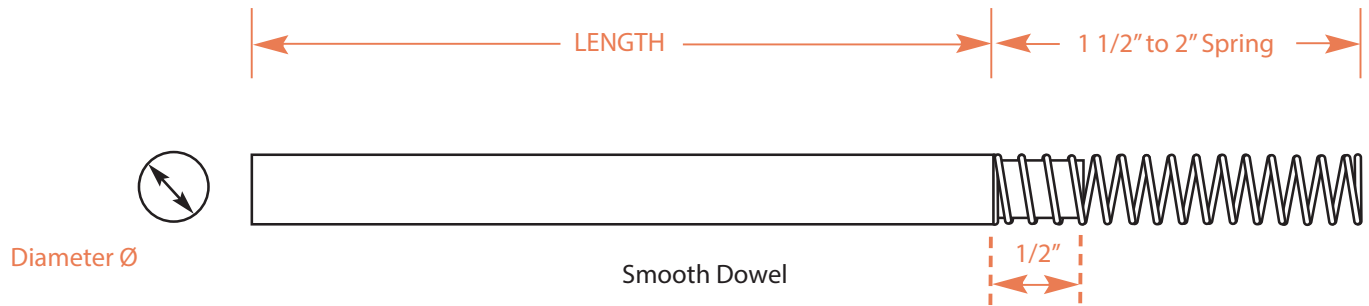
Aesthetic Appeal: With their low-profile design and minimal visibility

Dowel



Catalog Number	Diameter Ø	Length
62560-37N300PDP4	3/8"	3"
62560-37N400PDP4		4"
62560-37N500PDP4		5"
62560-37N600PDP4		6"
62560-37N800PDP4		8"
62560-50N400PDP4	1/2"	4"
62560-50N500PDP4		5"
62560-50N600PDP4		6"

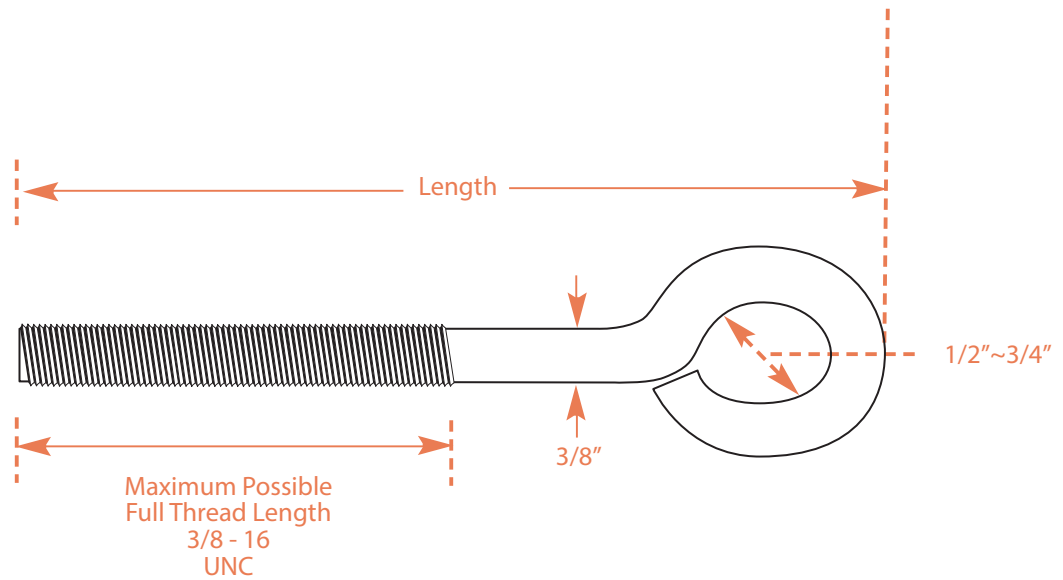
Spring Loaded Dowel



3/8" Ø Maximum shear load = 1,900 lbs (based on yield)
 1/2" Ø Maximum shear load = 3,300 lbs (based on yield)

Catalog Number	Diameter	Length
62566-37N400PDS	3/8"	4"
62566-37N600PDS	3/8"	6"
62566-50N400PDS	1/2"	4"
62566-50N600PDS	1/2"	6"

Eye Bolt .375

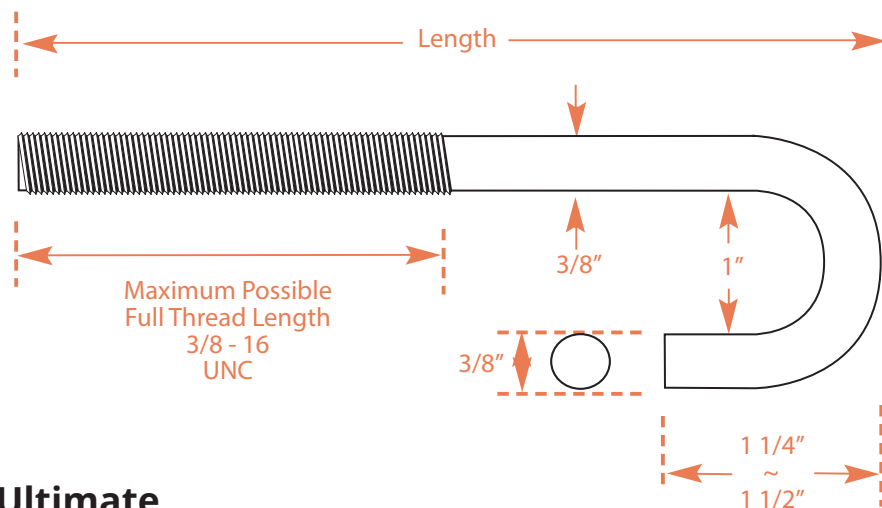


CAPACITY = 1900 lb Ultimate

Catalog Number	Length
62380-37N600	6"
62380-37N800	8"
62380-37N1000	10"
62380-37N1200	12"

Includes:
 • 1 Nut
 • 1 Washer
 TY 18-8 S.S.

J-Bolt .375

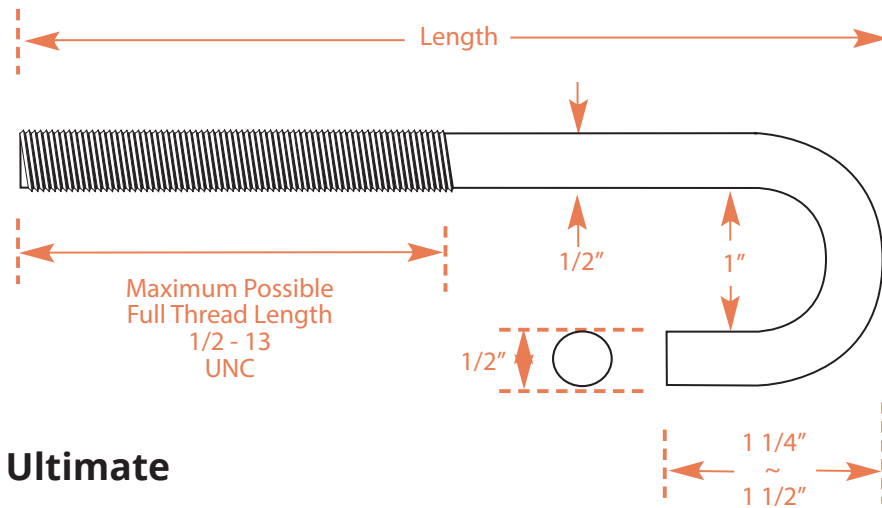


CAPACITY = 1500 lb Ultimate

Catalog Number	Length
62380-37N600	6"
62380-37N800	8"
62380-37N1000	10"
62380-37N1200	12"

Includes:
 • 1 Nut
 • 1 Washer
 TY 18-8 S.S.

J-Bolt .5

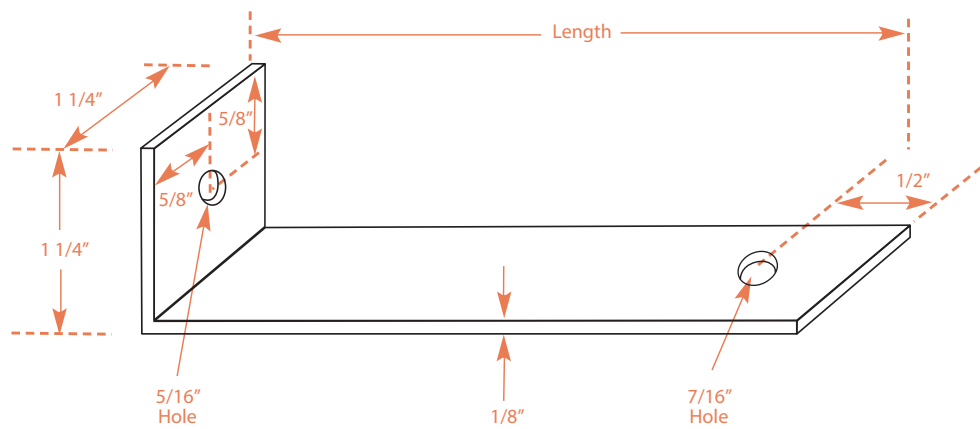


CAPACITY = 2000 lb Ultimate

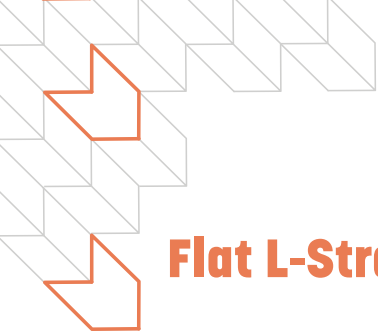
Catalog Number	Length
62380-37N1200	6"
62385-50N800	8"
62385-50N1000	10"
62385-50N1200	12"

Includes:
 • 1 Nut
 • 1 Washer
 TY 18-8 S.S.

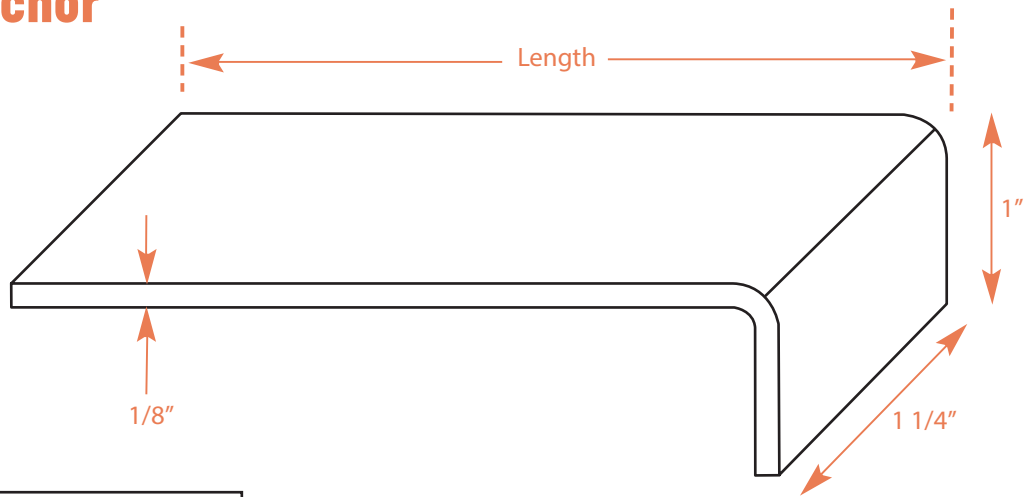
L-Strap Anchor



Catalog Number	Length
62040-200N125S4	2"
62040-300N125S4	3"
62040-400N125S4	5"
62040-500N125S4	6"
62040-600N125S4	7"

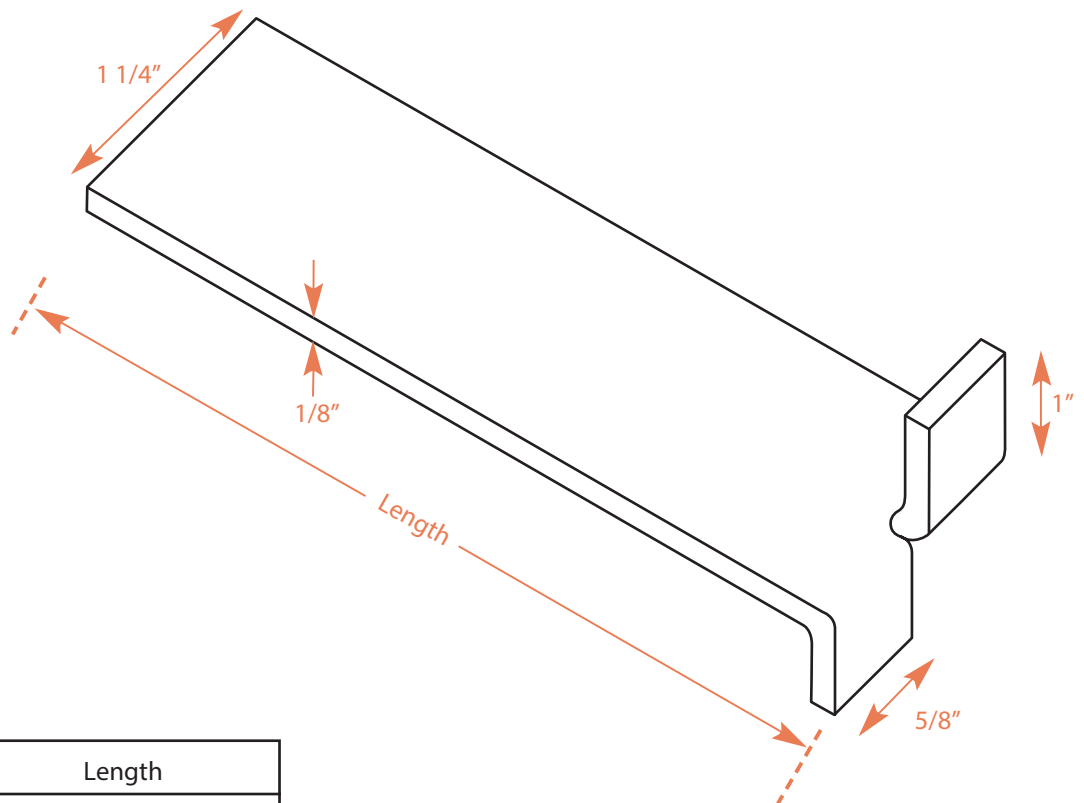


Flat L-Strap Anchor



Catalog Number	Length
62060-800N125S4	0'-8"

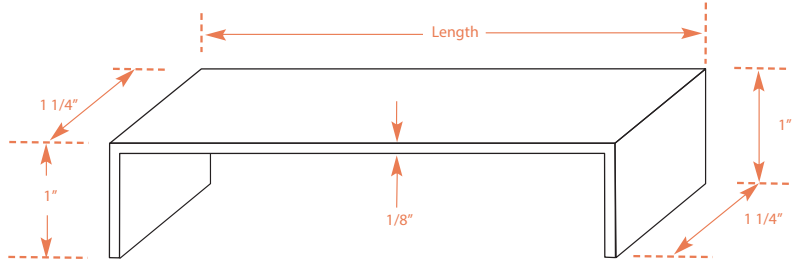
Flat Split Tail-Strap Anchor



Catalog Number	Length
62050-800N125S4	0'-8"

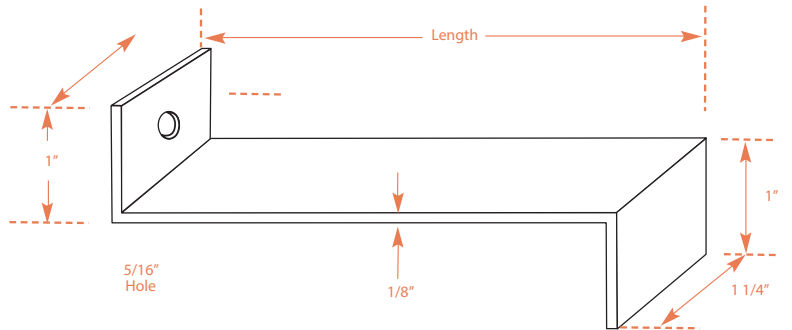
U-Strap Anchor

Catalog Number	Length
62020-200N125S4	2"
62020-300N125S4	3"
62020-400N125S4	4"
62020-500N125S4	5"
62020-600N125S4	6"
62020-700N125S4	7"
62020-800N125S4	8"
62020-1000N125S4	10"



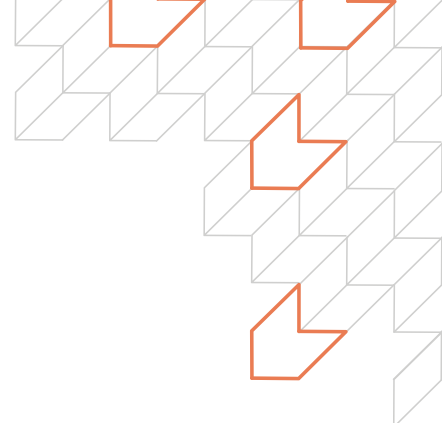
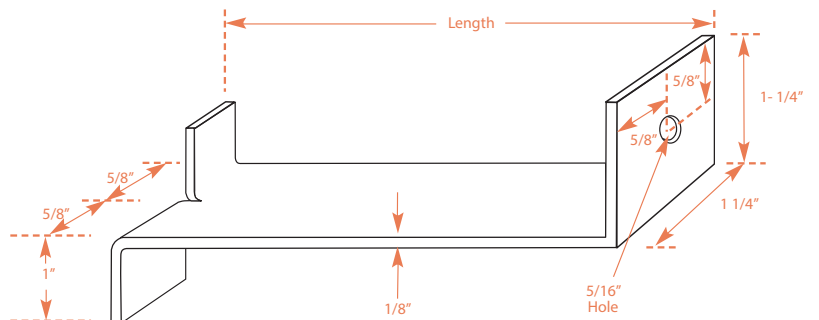
Z-Strap Anchor

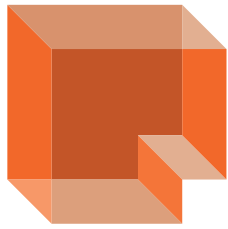
Catalog Number	Length
62030-200N125S4	2"
62030-300N125S4	3"
62030-400N125S4	4"
62030-500N125S4	5"
62030-600N125S4	6"
62030-700N125S4	7"
62030-800N125S4	8"



Split Tail-Strap Anchor

Catalog Number	Length
62010-100N125S4	1"
62010-200N125S4	2"
62010-300N125S4	3"
62010-400N125S4	4"
62010-500N125S4	5"
62010-600N125S4	6"
62010-800N125S4	8"





PROSOCO

You. Us. The project.

