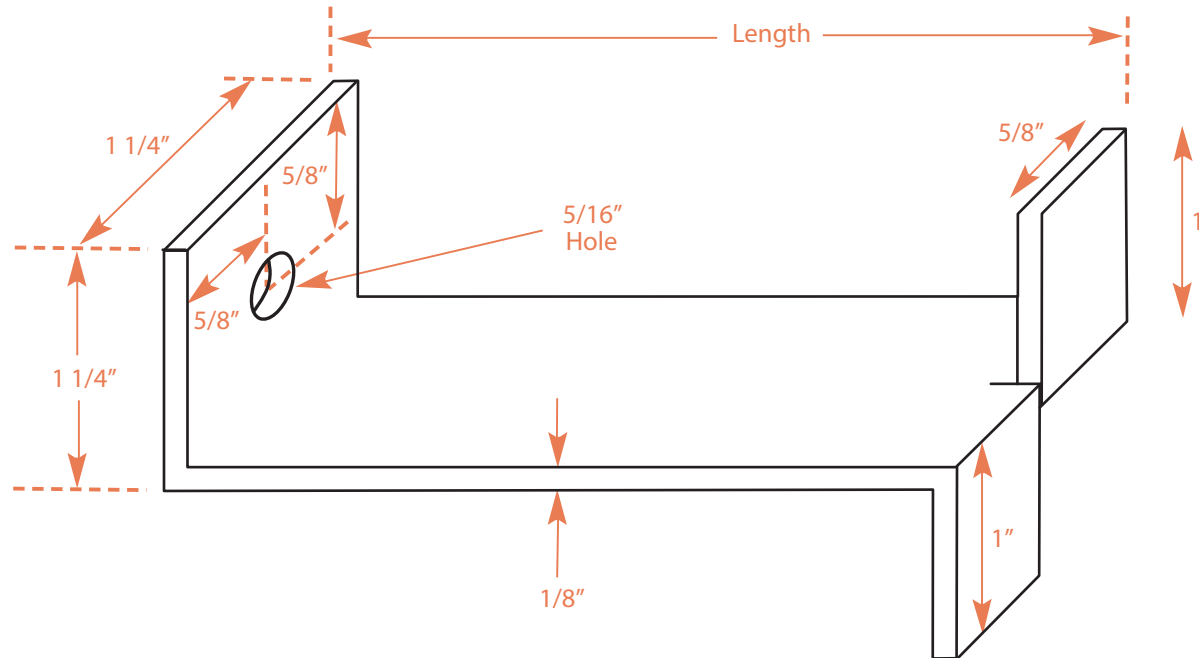


# STONE ANCHOR

## Split Tail-Strap Anchor

# SUBMITTAL



Note: Other Sizes Available upon request

Catalog Number	Length
62010-100N125S4	0'-1"
62010-200N125S4	0'-2"
62010-300N125S4	0'-3"
62010-400N125S4	0'-4"
62010-500N125S4	0'-5"
62010-600N125S4	0'-6"

DATE:	APPROVED BY:	DRAWN BY: J. Scarpelli
SCALE: NTS		REVISED:
<b>Split Tail-Strap Anchor</b>		
<b>Material: TY 304 Stainless Steel</b>		
PROJECT:		
CUSTOMER:		DRAWING NUMBER: