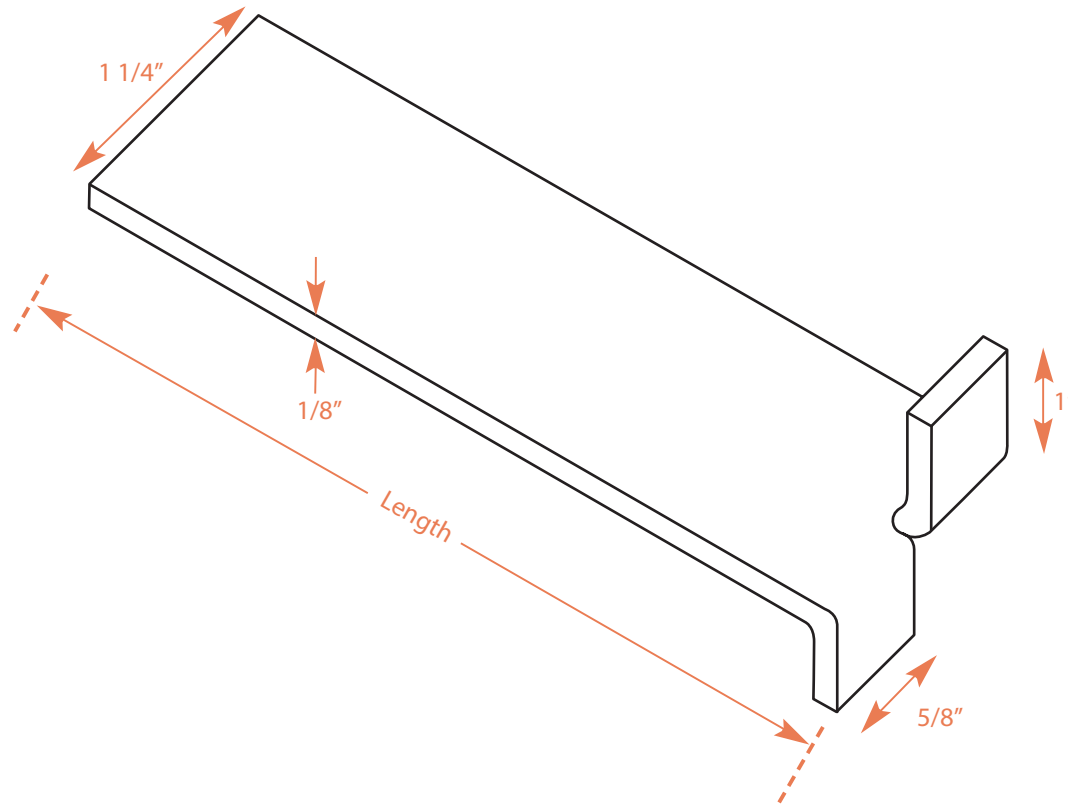


STONE ANCHOR

Flat Split Tail-Strap Anchor

SUBMITTAL



Catalog Number	Length
62050-800N125S4	0'-8"

DATE:	APPROVED BY:	DRAWN BY: J. Scarpelli
SCALE: NTS		REVISED:
Flat Split Tail-Strap Anchor Material: TY 304 Stainless Steel		
PROJECT:		
CUSTOMER:		DRAWING NUMBER: