

# STONE ANCHORS

## Stainless steel anchors for stone veneer facades

PROSOCO Stone Anchors attach dimensional stone panels or terra cotta to a backup parent structure of masonry, concrete, or stud. All stocked stone anchors are 1/8-inch-thick and packaged in a convenient 25pc packaging - keeping quantity ready for same-day shipment anywhere in the United States. Other sizes and types of stone anchors are available upon request.



**MANY CONFIGURATIONS**



**CORROSION RESISTANT  
304 STAINLESS STEEL**



**WIND LOAD  
RESISTANCE**



**ATTACHES STONE PANELS  
OR TERRA COTTA**



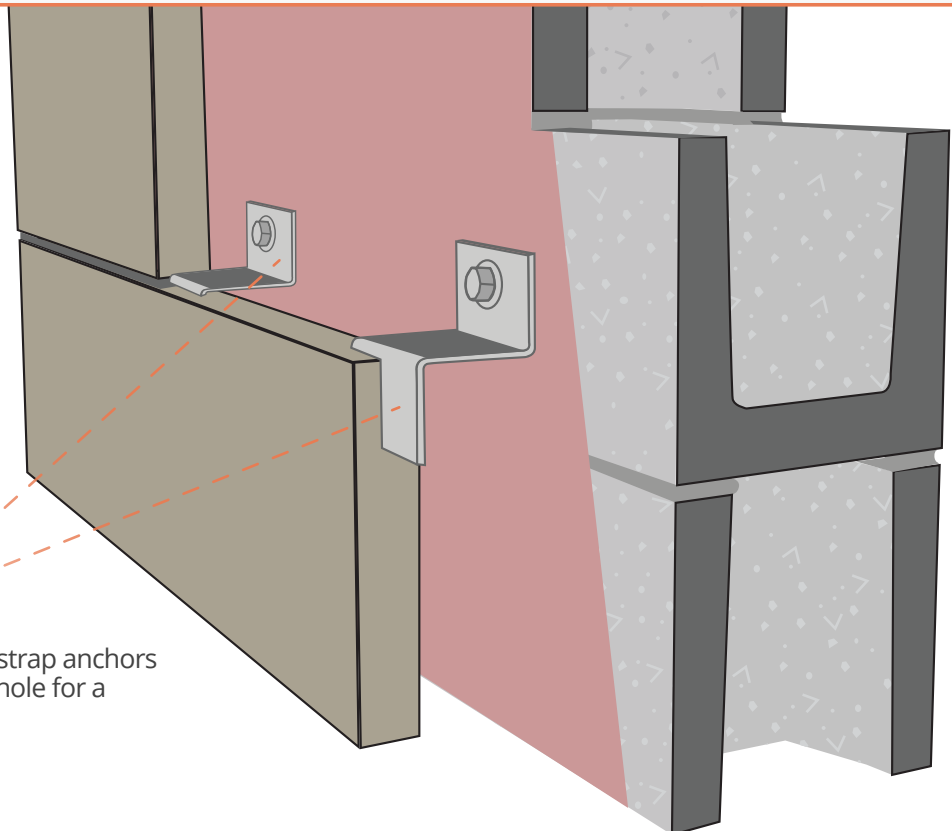
**MAXIMUM THREAD LENGTH  
FOR FIELD ADJUSTMENTS**



**QUICKLY ANCHORS  
COPING STONES**

### Z-Strap Anchors

Spit-tail, L-strap, U-strap and Z-strap anchors are produced with a 5/16-inch hole for a masonry fastener.



Catalog Number	Length
62010-100N125S4	1"
62010-200N125S4	2"
62010-300N125S4	3"
62010-400N125S4	4"
62010-500N125S4	5"
62010-600N125S4	6"
62010-800N125S4	8"

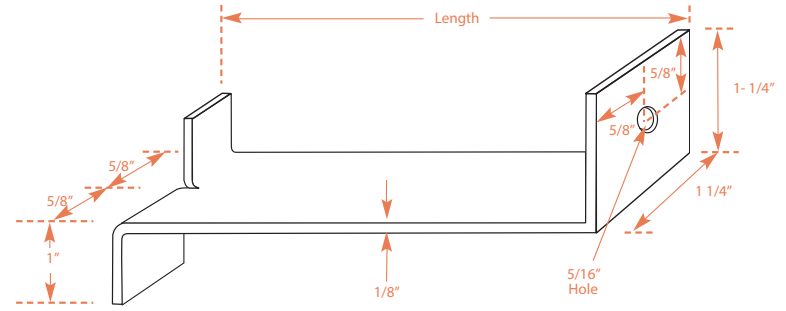
Catalog Number	Length
62020-200N125S4	2"
62020-300N125S4	3"
62020-400N125S4	4"
62020-500N125S4	5"
62020-600N125S4	6"
62020-700N125S4	7"
62020-800N125S4	8"
62020-1000N125S4	10"

Catalog Number	Length
62040-200N125S4	2"
62040-300N125S4	3"
62040-400N125S4	5"
62040-500N125S4	6"
62040-600N125S4	7"

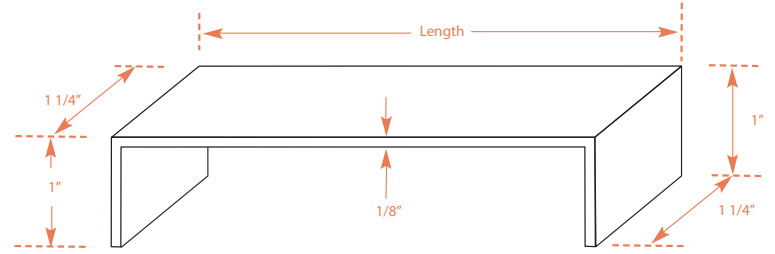
Catalog Number	Length
62030-200N125S4	2"
62030-300N125S4	3"
62030-400N125S4	4"
62030-500N125S4	5"
62030-600N125S4	6"
62030-700N125S4	7"
62030-800N125S4	8"

DATE:	APPROVED BY:	DRAWN BY:
SCALE: NTS		REVISED:
PROJECT:		
CUSTOMER:		DRAWING NUMBER:

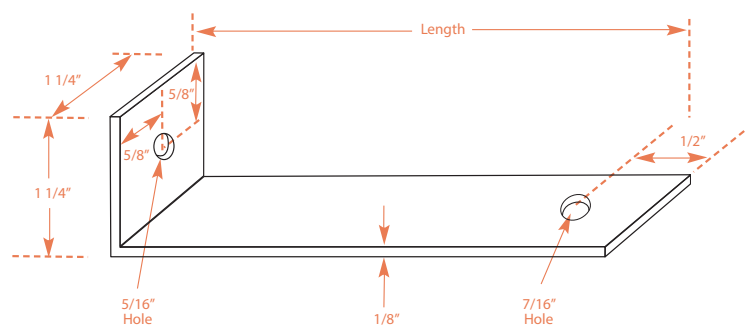
### Split Tail-Strap Anchor



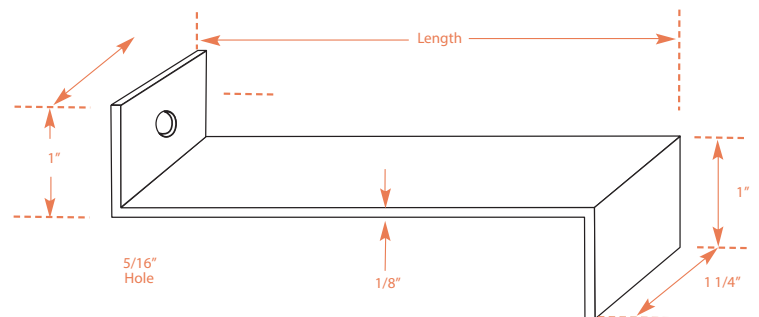
### U-Strap Anchor



### L-Strap Anchor



### Z-Strap Anchor



# IN STOCK