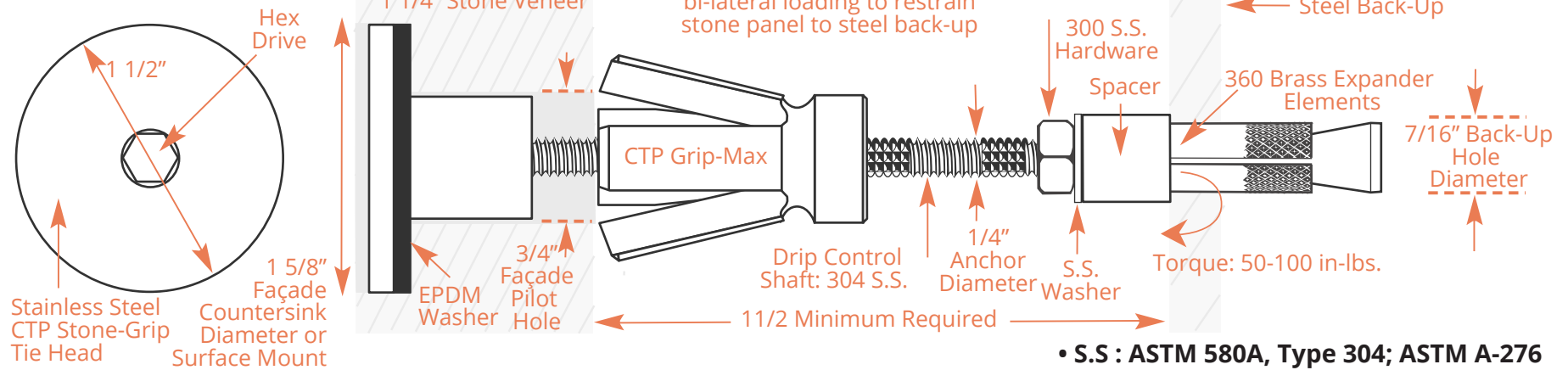


# CTP STONE-GRIP TIE

# SUBMITTAL

## CTP 6200-2 Series Anchor

Requires CTP Hex Key, CTP 501 Setting Tool, Compression Sleeve Positioning Tool and 1/2" Deep Well Socket



• S.S : ASTM 580A, Type 304; ASTM A-276

LENGTH			HEAD STYLE		
<input type="checkbox"/> 5 1/2" (138mm)	<input type="checkbox"/> 7 1/2" (188mm)	<input type="checkbox"/> 9 1/2" (238mm)	<input type="checkbox"/> Hex (as shown)	Other _____	Color _____
<input type="checkbox"/> 6 1/2" (163mm)	<input type="checkbox"/> 8 1/2" (213mm)	<input type="checkbox"/> Other _____	<input type="checkbox"/> Standard	<input type="checkbox"/> Polished	<input type="checkbox"/> Powder Coat
			<input type="checkbox"/> Bead Blast	Other _____	

### SPECIFICATIONS

<input type="checkbox"/> 62335-112N450	6200-2 Series Stone Grip Anchor 1-1/2" Dia SS Head x 4-1/2" SS Shaft	CTP-6244-2
<input type="checkbox"/> 62335-112N550	6200-2 Series Stone Grip Anchor 1-1/2" Dia SS Head x 5-1/2" SS Shaft	CTP-6254-2
<input type="checkbox"/> 62335-112N650	6200-2 Series Stone Grip Anchor 1-1/2" Dia SS Head x 6-1/2" SS Shaft	CTP-6264-2

DATE:	APPROVED BY:	DRAWN BY:
SCALE: NTS		REVISED:
PROJECT:		
CUSTOMER:		DRAWING NUMBER: