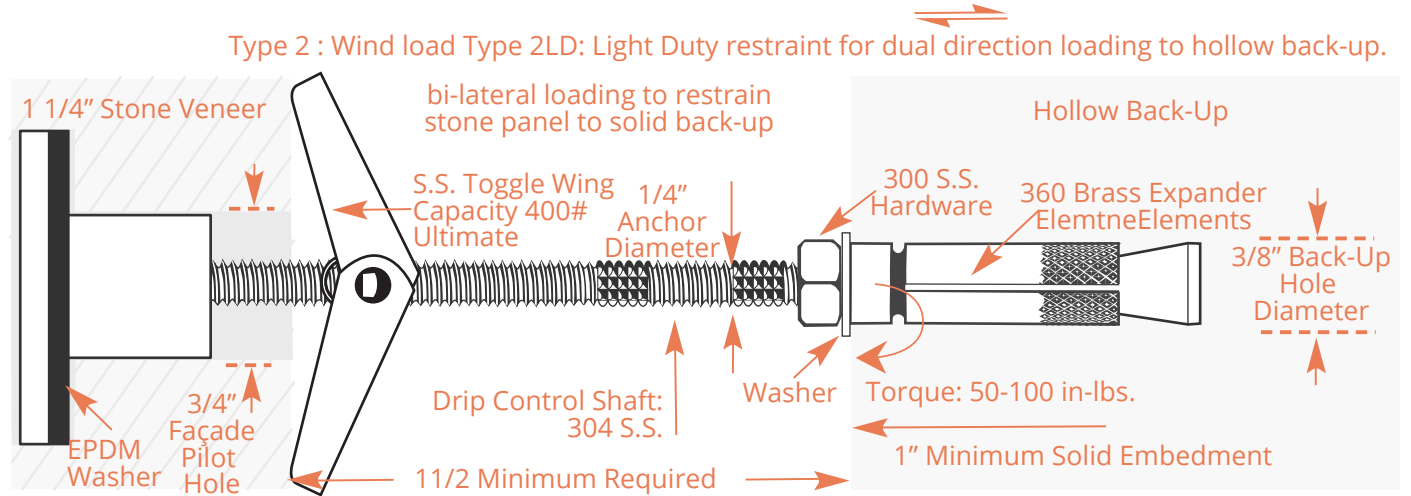
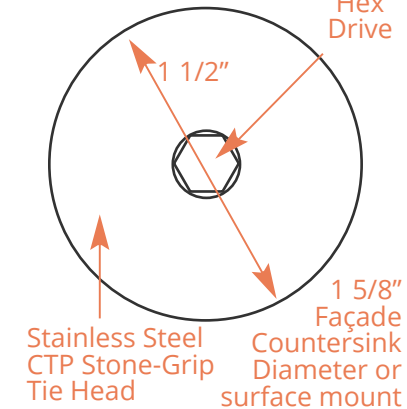


# CTP STONE-GRIP TIE

# SUBMITTAL

## CTP 6100-2LD Series Anchor

Requires CTP Hex Key,  
CTP 501 Setting Tool,  
Toggle Positioning Tool



• S.S : ASTM 580A, Type 304; ASTM A-276

LENGTH			HEAD STYLE		
<input type="checkbox"/> 5 1/2" (138mm)	<input type="checkbox"/> 7 1/2" (188mm)	<input type="checkbox"/> 9 1/2" (238mm)	<input type="checkbox"/> Hex (as shown)	Other _____	Color _____
<input type="checkbox"/> 6 1/2" (163mm)	<input type="checkbox"/> 8 1/2" (213mm)	<input type="checkbox"/> Other _____	<input type="checkbox"/> Standard	<input type="checkbox"/> Polished	<input type="checkbox"/> Powder Coat
			<input type="checkbox"/> Bead Blast	Other _____	

### SPECIFICATIONS

<input type="checkbox"/> 62325-150N450	6100-2LD Series Stone Grip Anchor 1-1/2" Dia SS Head x 4-1/2" SS Shaft	CTP-6144-2LD
<input type="checkbox"/> 62325-150N550	6100-2LD Series Stone Grip Anchor 1-1/2" Dia SS Head x 5-1/2" SS Shaft	CTP-6154-2LD
<input type="checkbox"/> 62325-150N650	6100-2LD Series Stone Grip Anchor 1-1/2" Dia SS Head x 6-1/2" SS Shaft	CTP-6164-2LD
<input type="checkbox"/> 62325-150N750	6100-2LD Series Stone Grip Anchor 1-1/2" Dia SS Head x 7-1/2" SS Shaft	CTP-6174-2LD

DATE:	APPROVED BY:	DRAWN BY:
SCALE: NTS		REVISED:
PROJECT:		
CUSTOMER:		DRAWING NUMBER: