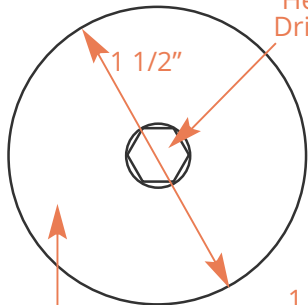


CTP STONE-GRIP TIE

SUBMITTAL

CTP 6000-2LD Series Anchor

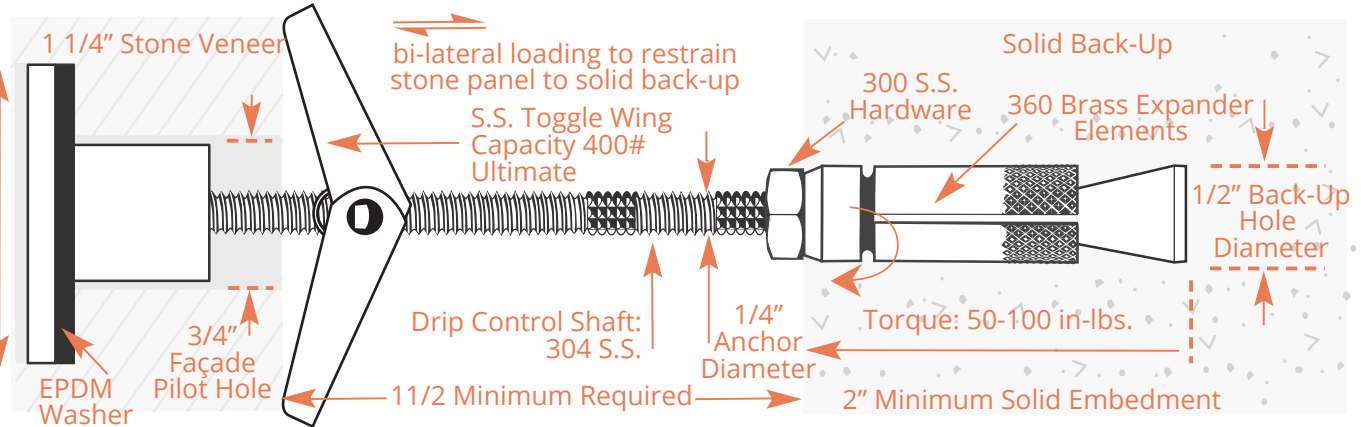
Requires CTP Hex Key,
CTP 501 Setting Tool,
Toggle Positioning Tool
Hex Drive



Stainless Steel
CTP Stone-Grip
Tie Head

1 5/8" Façade
Countersink
Diameter or
surface mounts

Type 2 : Wind load restraint for dual direction loading to solid back-up.



• S.S : ASTM 580A, Type 304; ASTM A-276

LENGTH			HEAD STYLE		
<input type="checkbox"/> 5 1/2" (138mm)	<input type="checkbox"/> 7 1/2" (188mm)	<input type="checkbox"/> 9 1/2" (238mm)	<input type="checkbox"/> Hex (as shown)	Other _____	Color _____
<input type="checkbox"/> 6 1/2" (163mm)	<input type="checkbox"/> 8 1/2" (213mm)	<input type="checkbox"/> Other _____	<input type="checkbox"/> Standard	<input type="checkbox"/> Polished	<input type="checkbox"/> Powder Coat
			<input type="checkbox"/> Bead Blast	Other _____	

SPECIFICATIONS

- 62310-150N450 6000-2LD Series Stone Grip Anchor 1-1/2" Dia SS Head x 4-1/2" SS Shaft CTP-6044-2LD
- 62310-150N550 6000-2LD Series Stone Grip Anchor 1-1/2" Dia SS Head x 5-1/2" SS Shaft CTP-6054-2LD
- 62310-150N650 6000-2LD Series Stone Grip Anchor 1-1/2" Dia SS Head x 6-1/2" SS Shaft CTP-6064-2LD
- 62310-150N750 6000-2LD Series Stone Grip Anchor 1-1/2" Dia SS Head x 7-1/2" SS Shaft CTP-6074-2LD

DATE:	APPROVED BY:	DRAWN BY:
SCALE: NTS		REVISED:
PROJECT:		
CUSTOMER:		DRAWING NUMBER: