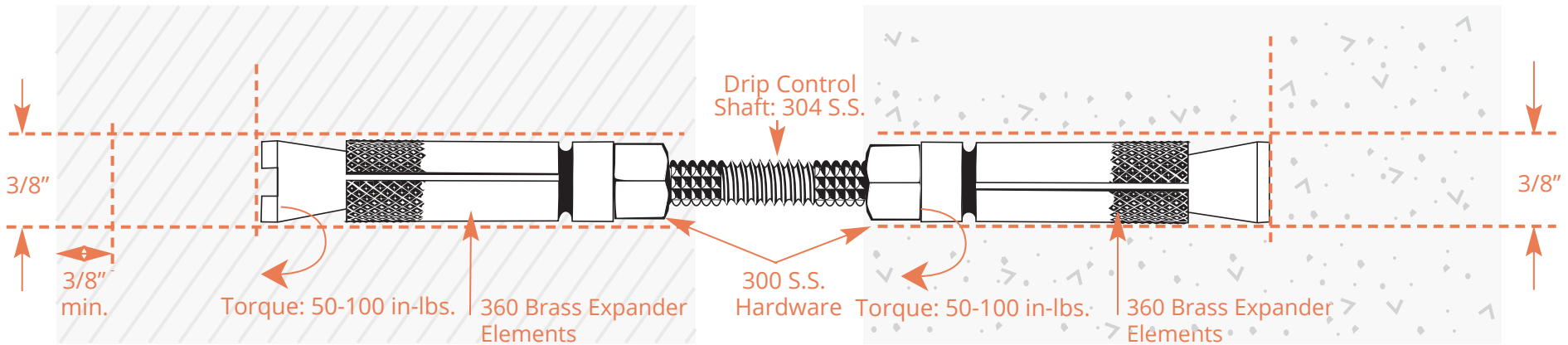


CTP GRIP-TIE

CTP 5000R Series Anchor

Veneer ≥ 3"

SUBMITTAL



LENGTH			APPROVAL		
<input type="checkbox"/> 5 1/2" (138mm)	<input type="checkbox"/> 7 1/2" (188mm)	<input type="checkbox"/> 9 1/2" (238mm)			
<input type="checkbox"/> 6 1/2" (163mm)	<input type="checkbox"/> 8 1/2" (213mm)	<input type="checkbox"/> Other_____			

• Brass: ASTM B16, Type 360

• S.S : ASTM 580A, Type 304

SPECIFICATIONS

<input type="checkbox"/> 62210-550	Grip-Tie 5000R Series w/ 5-1/2" shaft	CTP-5054R
<input type="checkbox"/> 62210-650	Grip-Tie 5000R Series w/ 6-1/2" shaft	CTP-5064R
<input type="checkbox"/> 62210-750	Grip-Tie 5000R Series w/ 7-1/2" shaft	CTP-5074R
<input type="checkbox"/> 62210-850	Grip-Tie 5000R Series w/ 8-1/2" shaft	CTP-5084R

DATE:	APPROVED BY:	DRAWN BY:
SCALE: NTS		REVISED:
PROJECT:		
CUSTOMER:		DRAWING NUMBER: