

JOB NAME _____

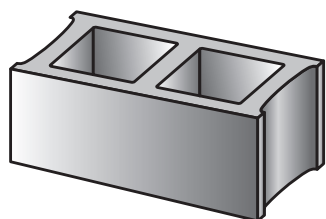
CUSTOMER _____

UNIT DESC/WEIGHT _____

COLOR CODE _____ RUN DATE _____

DRY BLOCK

ATTENTION!



These blocks are made with natural aggregates and are sold as is. They have passed inspection and meet the specifications required. Usage of this product constitutes acceptance. If you have any questions regarding this product, please contact the manufacturer immediately.

Some color variation between blocks is normal and any variation should be distributed evenly through the wall when laying block.

WARNING

DO NOT CLEAN BLOCK WITH MURIATIC ACID!

Use a cleaner and weatherproofer made specifically for this block and follow the manufacturer's recommendations!

Clean these blocks with:

➤ **SURE-KLEAN** ➤

CUSTOM MASONRY CLEANER

For best overall appearance and color uniformity

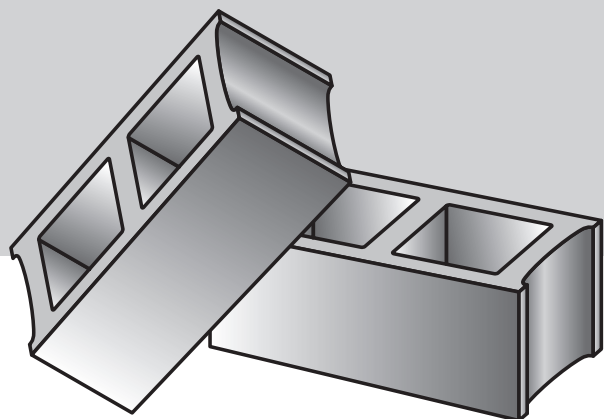
Weatherproof these blocks with:

➤ **SURE-KLEAN** ➤

CUSTOM MASONRY SEALER

For best weather resistance

— by **PROSOCO**
SINCE 1939



Pressure rinse with 400 psi at a water flow rate of 4 to 8 gallons per minute and a 30° to 40° fan spray tip. Reduce water pressure to avoid damage to delicate masonry.

Custom Masonry Cleaner should be applied with a pump up sprayer not to exceed 50psi.

 **Oldcastle**®
ADAMS
PRODUCTS COMPANY

5701 McCrimmon Parkway, Morrisville, NC 27560

(919) 467-2218 • 1-800-672-3131

www.adamsproducts.com

Manufacturer's recommendations

post-construction cleandown | weatherproofing

WARNING

Do NOT CLEAN BLOCK WITH MURIATIC ACID!

Use a cleaner and weatherproofer made specifically for this block.
follow the manufacturer's recommendations!

Clean these blocks with:

► **SURE-KLEAN** ►

CUSTOM MASONRY CLEANER

For best overall appearance and color uniformity

- Improves color brightness, depth and uniformity.
- Removes mortar smears, heavy efflorescence, and embedded stains.
- Designed for colored concrete.
- Designed for use with pressure water rinsing.
- Improves bond of color coatings.
- Improves penetration of protective treatments.

Weatherproof these blocks with:

► **SURE-KLEAN** ►

CUSTOM MASONRY SEALER

For best weather resistance

- Controls rainwater penetration through exterior masonry and concrete walls.
- Low odor
- Treated surfaces resist penetration of many types of graffiti.
- Simplifies graffiti removal.
- Helps control efflorescence, mildew and other moisture-related stains.
- Treated surfaces exhibit excellent surface beading and withstand exposure to sunlight and extreme temperatures.

by
PROSOCO
SINCE 1939

Laboratory testing has identified the above products as most effective on and compatible with the concrete block listed in this catalog. For free copies of the test results, product literature or other information related to the care of this block, contact PROSOCO Customer Care toll-free at (800) 255-4255. Or visit PROSOCO's website at www.prosoco.com.

 **Oldcastle**®
ADAMS
PRODUCTS COMPANY

5701 McCrimmon Parkway, Morrisville, NC 27560
(919) 467-2218 • 1-800-672-3131
www.adamsproducts.com

Sure Klean® Custom Masonry Cleaner Cleaning Specification

Specifier Note: The information provided below is intended to guide the Architect in developing specifications for products manufactured by PROSOCO, Inc. and should not be viewed as a complete source of information about the product(s). The Architect should always refer to the Product Data Sheet and MSDS for additional recommendations and for safety information. See also PROSOCO Section 04900 Masonry Restoration & Cleaning.

Specifier Note: Paragraph below is for PART 1 GENERAL, Quality Assurance.

Test Area

Test a minimum 4 ft. by 4 ft. area on each type of masonry. Use manufacturer's application instructions. Let test area dry 3 to 7 days before inspection. Keep test panels available for comparison throughout the cleaning project.

Specifier Note: Paragraphs below are for PART 2 PRODUCTS, Manufacturers and Products.

Manufacturer: PROSOCO, Inc., 3741 Greenway Circle, Lawrence, KS 66046. Phone: (800) 255-4255; Fax: (785) 830-9797.
E-mail: CustomerCare@prosoco.com

Product Description

Sure Klean® Custom Masonry Cleaner is a concentrated, general-purpose acidic cleaner that improves the color and uniformity of most custom masonry and colored concrete. When used in strong solutions, Custom Masonry Cleaner can be used for additional aggregate exposure ("weathering"). Custom Masonry Cleaner removes concrete splashes, excess mortar, mud, retarders, heavy efflorescence, embedded stains, rust and surface soiling from textured custom masonry surfaces.

Technical Data

FORM: Clear liquid, slight amber color

SPECIFIC GRAVITY: 1.13

FLASH POINT: None

pH: 0.30 @ 1:6 dilution

FREEZE POINT: <-22 degrees F (<-30 degrees C)

WT./GAL.: 9.41 lbs.

Limitations

- Not for use on polished or burnished surfaces.
- Will not correct damage caused by improper cleaning.
- May etch smooth concrete surfaces. Use Sure Klean® Burnished Custom Masonry Cleaner where no etch is desired.

Specifier Note: Paragraphs below are for PART 3 EXECUTION, Installation.

Application

Before applying, read "Protect" and "Precautionary Measures" sections in the Manufacturer's Product Data Sheet for Custom Masonry Cleaner. Dilute Custom Masonry Cleaner concentrate with 2–6 parts water. Refer to Product Data Sheet for recommended dilution for intended use.

1. Always prewet surface with clean water. On vertical surfaces, keep lower areas wet to avoid streaks.
2. Apply the prediluted cleaning solution directly to surface using a masonry brush or low-pressure spray.
3. Let cleaner dwell for 2–3 minutes.
4. Reapply cleaner. Scrub or scrape areas of heavy soiling using wood blocks or nonmetallic scrapers.
5. Rinse thoroughly with fresh water. If pressure-rinsing equipment is not available, brush the surface while rinsing.

Note: Multiple applications may etch sensitive surfaces.

Sure Klean® Custom Masonry Sealer Water Repellent Specification

Specifier Note: The information provided below is intended to guide the Architect in developing specifications for products manufactured by PROSOCO, Inc. and should not be viewed as a complete source of information about the product(s). The Architect should always refer to the Product Data Sheet and MSDS for additional recommendations and for safety information. See also PROSOCO Section 07190 Water Repellents.

Specifier Note: Paragraph below is for PART 1 GENERAL, Quality Assurance.

Test Area

Test a minimum 4 ft. by 4 ft. area on each type of masonry. Use the manufacturer's application instructions. Let test area protective treatment cure before inspection. Keep test panels available for comparison throughout the protective treatment project.

Specifier Note: Paragraphs below are for PART 2 PRODUCTS, Manufacturers and Products.

Manufacturer: PROSOCO, Inc., 3741 Greenway Circle, Lawrence, KS 66046. Phone: (800) 255-4255; Fax: (785) 830-9797.
E-mail: CustomerCare@prosoco.com

Product Description

Sure Klean® Custom Masonry Sealer is a clear, solvent-based silicone elastomer formulated to weatherproof custom masonry units, cast stone, architectural concrete block, precast concrete, wood and porous masonry. Custom Masonry Sealer penetrates and fills pores to prevent water penetration through exterior walls exposed to normal weathering.

Custom Masonry Sealer has excellent UV stability and provides long-lasting protection against water penetration and many types of graffiti. Easy to apply with low-pressure spray, brush or roller.

Technical Data

ACTIVE SUBSTANCE: Silicone elastomer

ACTIVE SOLIDS: 9%

FORM: Clear liquid

SPECIFIC GRAVITY: 0.802

FLASH POINT: 100 degrees F (38 degrees C) (ASTM D 3273)

WT./GAL.: 6.67 lbs.

VOC content: 725 g/L

FREEZE POINT: <-22 degrees F (<-30 degrees C)

Limitations

- May not be compatible with previously applied surface treatments.
- Not for use on horizontal, traffic bearing surfaces.
- Not suitable for extremely dense or polished surfaces.
- Not suitable for asphaltic surfaces.
- Not recommended for below-grade applications.
- Will not prevent water penetration through structural cracks, defects or open joints.

Specifier Note: Paragraphs below are for PART 3 EXECUTION, Installation.

Application

Before applying, read "Protect" and "Precautionary Measures" sections in the Manufacturer's Product Data Sheet for Custom Masonry Sealer. Refer to the Product Data Sheet for additional information about application of Custom Masonry Sealer. Do not dilute or alter.

Vertical Application Instructions

1. For best results, apply Custom Masonry Sealer "wet-on-wet" to a visibly dry and absorbent surface.
2. Alternate application methods

Spray: Saturate from the bottom up, creating a 6" to 8" rundown below the spray contact point. Let the first application penetrate for 2–3 minutes. Resaturate. Less material will be needed for the second application.

Note: When spray applying to fluted surfaces, spray in an "overlapping X-pattern" to ensure complete coverage of recessed surfaces. When applying to burnished, ground face or similar smooth surfaces, avoid over application. Reduce rundown to 4" to 6" below the contact point.

Brush or Roller: Apply sufficient material to thoroughly saturate the surface. Avoid excessive overlapping. Brush out heavy runs and drops that don't penetrate.

Dense Surfaces: Apply a single coat. Use enough to completely wet the surface without creating drips, puddles or rundown.

Second Coat Application: Extremely porous surfaces will require 2 coats to provide maximum protection. Apply the second coat as soon as first coat is dry to touch, or within 2 hours of the first coat.