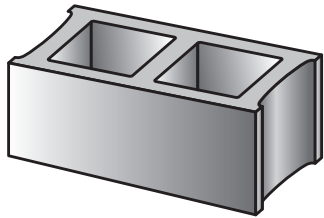


JOB NAME \_\_\_\_\_  
CUSTOMER \_\_\_\_\_  
UNIT DESC/WEIGHT \_\_\_\_\_  
COLOR CODE \_\_\_\_\_ RUN DATE \_\_\_\_\_  
DRY BLOCK

# ATTENTION!



These blocks are made with natural aggregates and are sold as is. They have passed inspection and meet the specifications required. Usage of this product constitutes acceptance. If you have any questions regarding this product, please contact the manufacturer immediately.

Some color variation between blocks is normal and any variation should be distributed evenly through the wall when laying block.

## WARNING

**Do NOT CLEAN BLOCK WITH ACID!**

Use a cleaner made specifically for this type of product and follow the manufacturer's recommendations!

*Clean these blocks with:*

➤ **SURE-KLEAN** ➤

**CUSTOM MASONRY CLEANER**

For best overall appearance and color uniformity

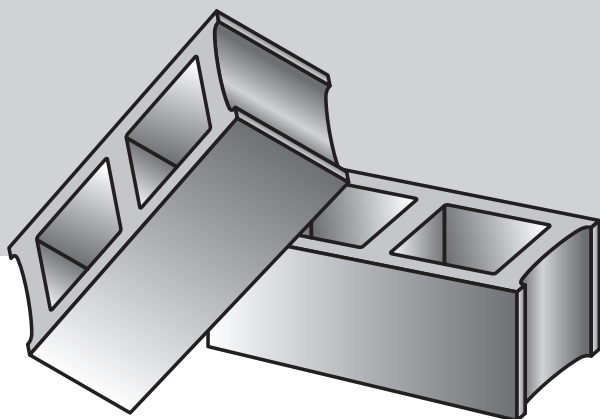
*Weatherproof these blocks with:*

➤ **SURE-KLEAN** ➤

**CUSTOM MASONRY SEALER**

For best weather resistance

— by **PROSOCO**  
SINCE 1939



Pressure rinse with 500 to 1500 psi at a water flow rate of 4 to 8 gallons per minute and a 15° to 40° fan spray tip. Reduce water pressure to avoid damage to delicate masonry.



## Akron Brick and Block

3225 Mogadore Road  
Akron, OH 44312-1893  
(800) 589-2565

# Manufacturer's recommendations

*post-construction cleandown | weatherproofing*

## WARNING

### DO NOT CLEAN BLOCK WITH ACID!

Use a cleaner and weatherproofers made specifically for this type of product.  
follow the manufacturer's recommendations!

*Clean these blocks with:*

► **SURE-KLEAN** ►

### CUSTOM MASONRY CLEANER

For best overall appearance and color uniformity

- Improves color brightness, depth and uniformity.
- Removes mortar smears, heavy efflorescence, and embedded stains.
- Designed for colored concrete.
- Designed for use with pressure water rinsing.
- Improves bond of color coatings.
- Improves penetration of protective treatments.

*Weatherproof these blocks with:*

► **SURE-KLEAN** ►

### CUSTOM MASONRY SEALER

For best weather resistance

- Controls rainwater penetration through exterior masonry and concrete walls.
- Low odor
- Treated surfaces resist penetration of many types of graffiti.
- Simplifies graffiti removal.
- Helps control efflorescence, mildew and other moisture-related stains.
- Treated surfaces exhibit excellent surface beading and withstand exposure to sunlight and extreme temperatures.

by  
**PROSOCO**  
SINCE 1939

Laboratory testing has identified the above products as most effective on and compatible with the concrete block listed in this catalog. For free copies of the test results, product literature or other information related to the care of this block, contact PROSOCO Customer Care toll-free at (800) 255-4255. Or visit PROSOCO's website at [www.prosoco.com](http://www.prosoco.com).

**ABB**

**Akron Brick and Block**

3225 Mogadore Road  
Akron, OH 44312-1893  
(800) 589-2565