

STONE ANCHORS

Stainless steel anchors for stone veneer facades

PROSOCO Stone Anchors attach dimensional stone panels or terra cotta to a backup structure of masonry, concrete, or stud. All stocked strap anchors are 1/8-inch thick and packaged in a convenient 25 piece box, keeping quantity ready for same-day shipment anywhere in the United States. Other sizes and types of stone anchors are available upon request.



MANY CONFIGURATIONS



**CORROSION RESISTANT
304 STAINLESS STEEL**



**WIND LOAD
RESISTANCE**



**ATTACHES STONE PANELS
OR TERRA COTTA**



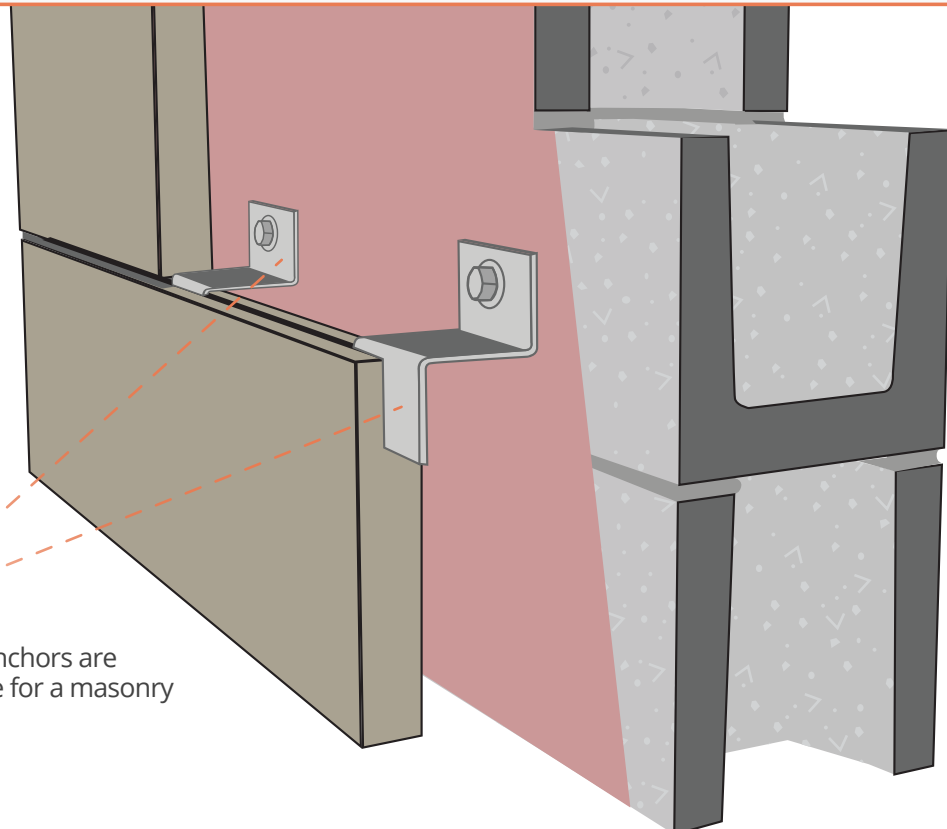
**MAXIMUM THREAD LENGTH
FOR FIELD ADJUSTMENTS**

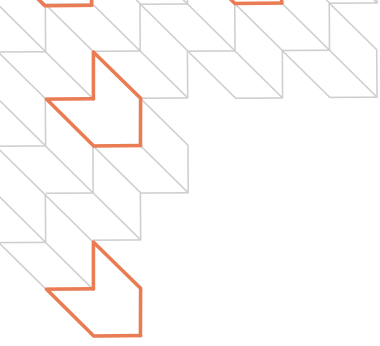


**QUICKLY ANCHORS
COPING STONES**

Z-Strap Anchors

Split-tail, L-strap, and Z-strap anchors are produced with a 5/16-inch hole for a masonry fastener.





KEY FEATURES

Superior Strength: manufactured using high-quality, corrosion-resistant stainless steel for long-lasting performance in even the most demanding environments.

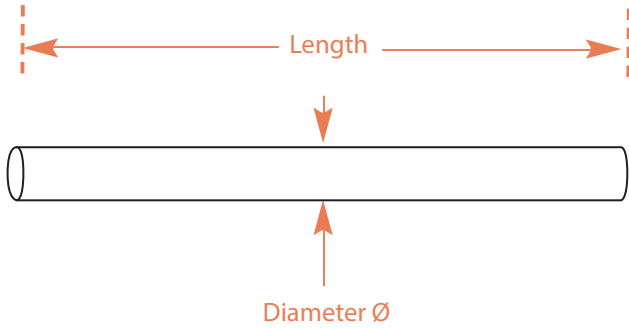
Versatile Application: Our stone anchors come in various standard lengths and shapes to accommodate a wide variety of applications. Custom sizes can be manufactured upon request for non-standard situations.

Easy Installation: PROSOCO Stone Anchors feature a user-friendly design with pre-drilled holes. The anchors can be used with any type of masonry fastener, depending on the specific requirements of your project.

Secure Connection: PROSOCO Stone Anchors ensure a secure and stable connection between the masonry veneer and the substrate, preventing shifting or detachment over time.

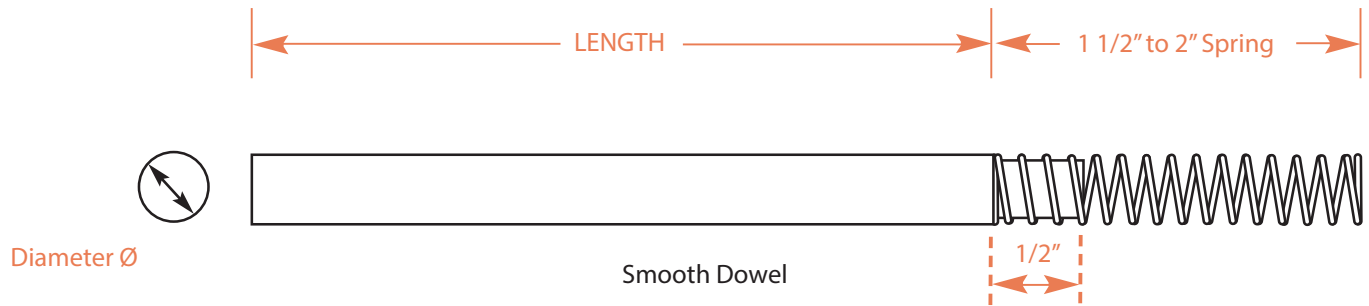
Aesthetic Appeal: With their low-profile design and minimal visibility

Dowel



| Catalog Number | Diameter Ø | Length |
|------------------|------------|--------|
| 62560-37N300PDP4 | 3/8" | 3" |
| 62560-37N400PDP4 | | 4" |
| 62560-37N500PDP4 | | 5" |
| 62560-37N600PDP4 | | 6" |
| 62560-37N800PDP4 | | 8" |
| 62560-50N400PDP4 | 1/2" | 4" |
| 62560-50N500PDP4 | | 5" |
| 62560-50N600PDP4 | | 6" |

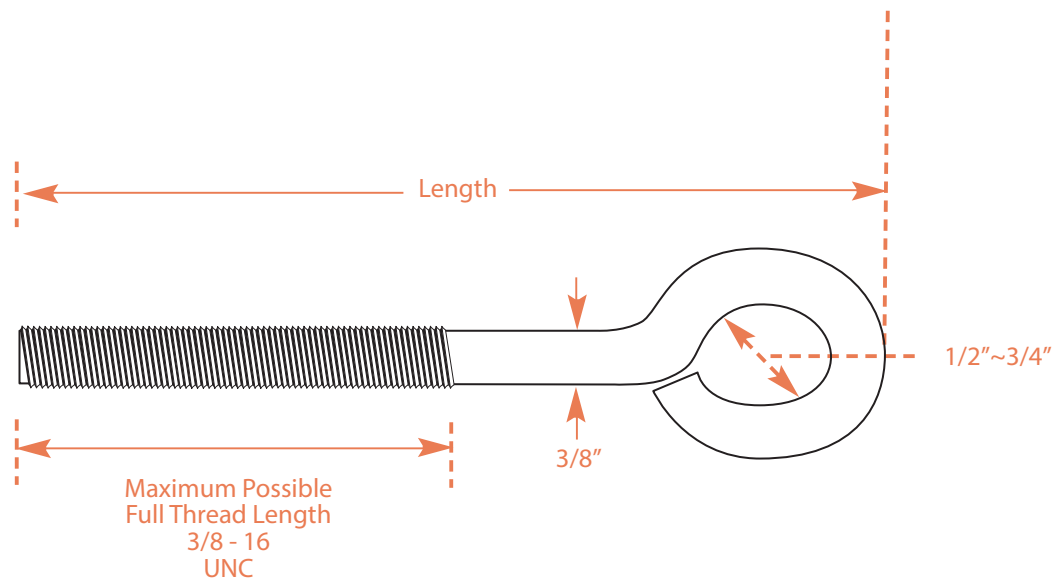
Spring Loaded Dowel



3/8" Ø Maximum shear load = 1,900 lbs (based on yield)
 1/2" Ø Maximum shear load = 3,300 lbs (based on yield)

| Catalog Number | Diameter | Length |
|-----------------|----------|--------|
| 62566-37N400PDS | 3/8" | 4" |
| 62566-37N600PDS | 3/8" | 6" |
| 62566-50N400PDS | 1/2" | 4" |
| 62566-50N600PDS | 1/2" | 6" |

Eye Bolt .375

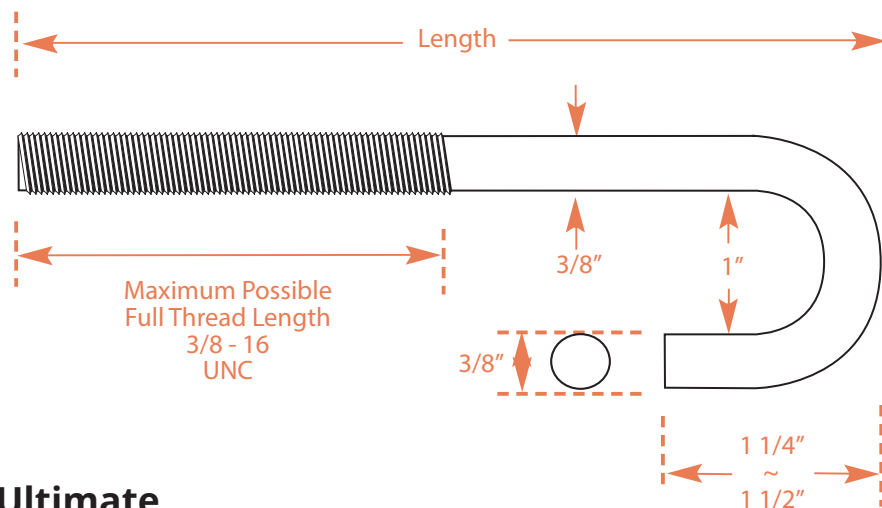


CAPACITY = 1900 lb Ultimate

| Catalog Number | Length |
|----------------|--------|
| 62380-37N600 | 6" |
| 62380-37N800 | 8" |
| 62380-37N1000 | 10" |
| 62380-37N1200 | 12" |

Includes:
 • 1 Nut
 • 1 Washer
 TY 18-8 S.S.

J-Bolt .375

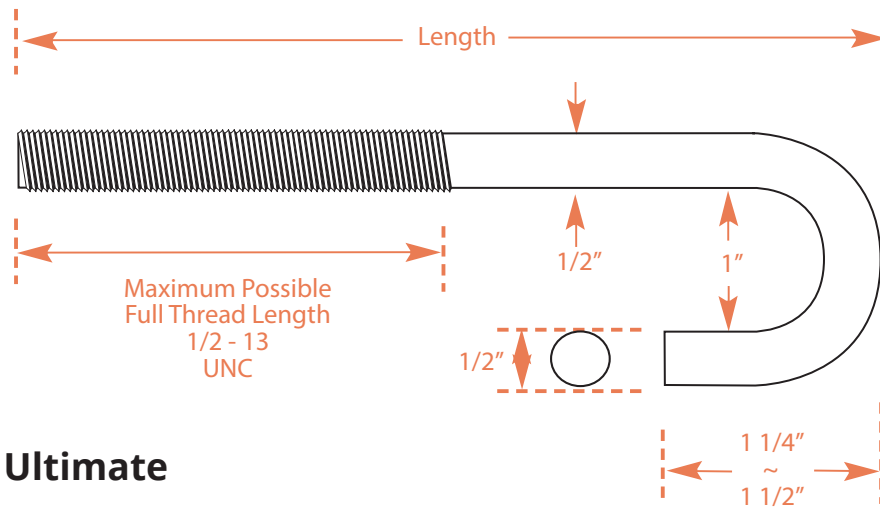


CAPACITY = 1500 lb Ultimate

| Catalog Number | Length |
|----------------|--------|
| 62380-37N600 | 6" |
| 62380-37N800 | 8" |
| 62380-37N1000 | 10" |
| 62380-37N1200 | 12" |

Includes:
 • 1 Nut
 • 1 Washer
 TY 18-8 S.S.

J-Bolt .5

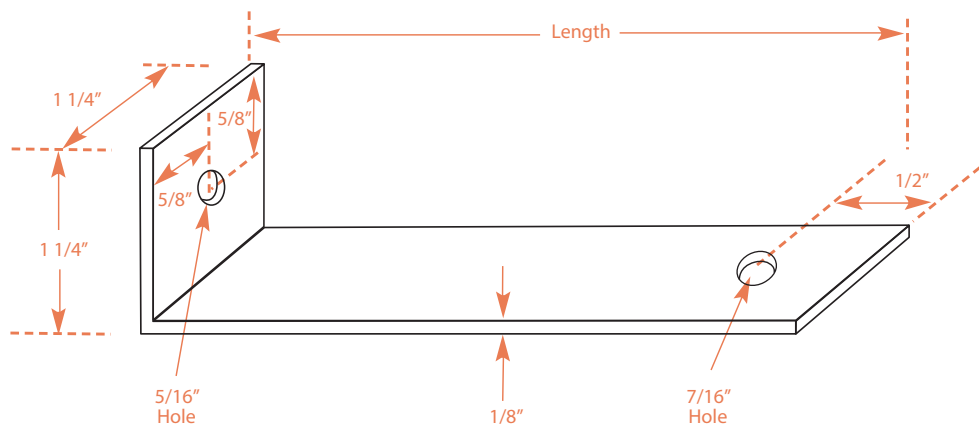


CAPACITY = 2000 lb Ultimate

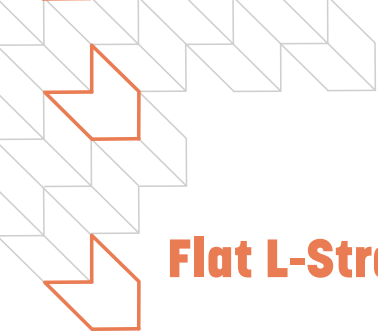
| Catalog Number | Length |
|----------------|--------|
| 62380-37N1200 | 6" |
| 62385-50N800 | 8" |
| 62385-50N1000 | 10" |
| 62385-50N1200 | 12" |

Includes:
 • 1 Nut
 • 1 Washer
 TY 18-8 S.S.

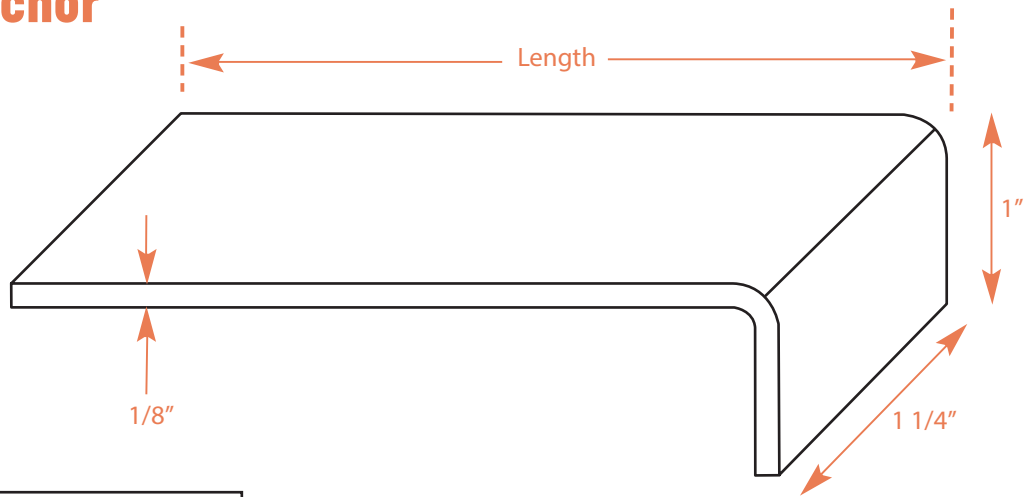
L-Strap Anchor



| Catalog Number | Length |
|-----------------|--------|
| 62040-200N125S4 | 2" |
| 62040-300N125S4 | 3" |
| 62040-400N125S4 | 5" |
| 62040-500N125S4 | 6" |
| 62040-600N125S4 | 7" |

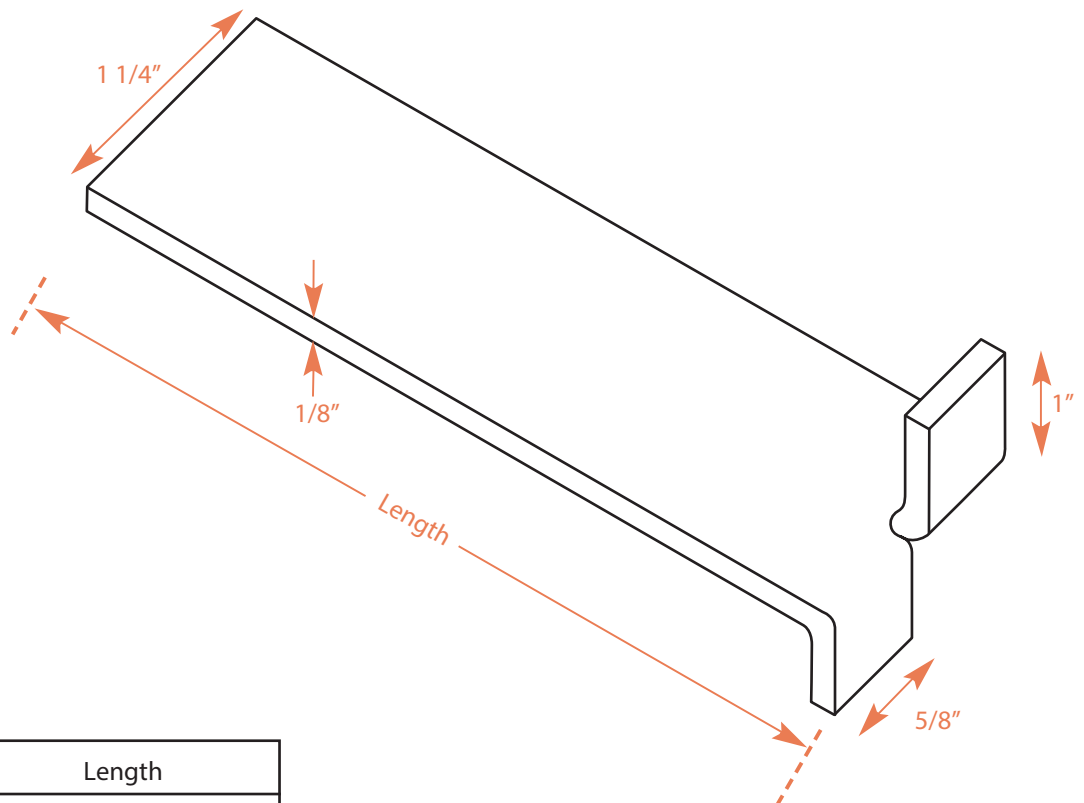


Flat L-Strap Anchor



| Catalog Number | Length |
|-----------------|--------|
| 62060-800N125S4 | 0'-8" |

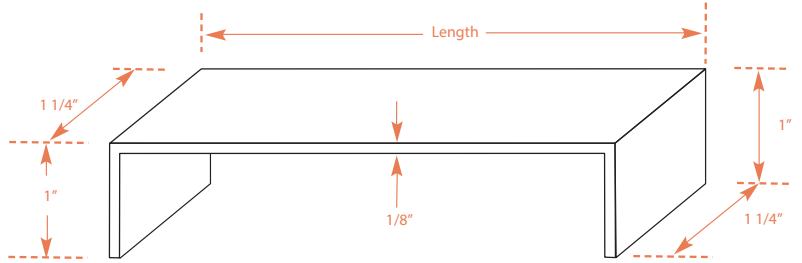
Flat Split Tail-Strap Anchor



| Catalog Number | Length |
|-----------------|--------|
| 62050-800N125S4 | 0'-8" |

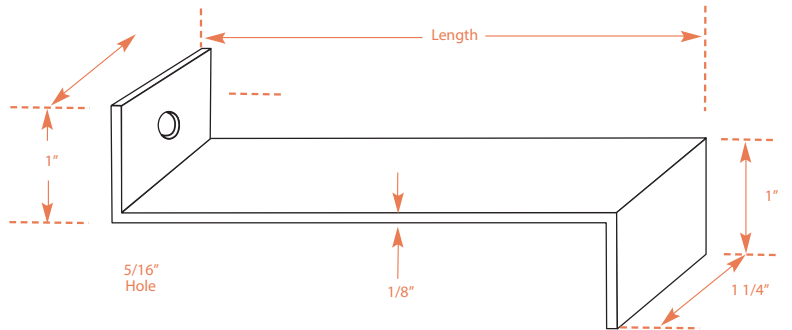
U-Strap Anchor

| Catalog Number | Length |
|------------------|--------|
| 62020-200N125S4 | 2" |
| 62020-300N125S4 | 3" |
| 62020-400N125S4 | 4" |
| 62020-500N125S4 | 5" |
| 62020-600N125S4 | 6" |
| 62020-700N125S4 | 7" |
| 62020-800N125S4 | 8" |
| 62020-1000N125S4 | 10" |



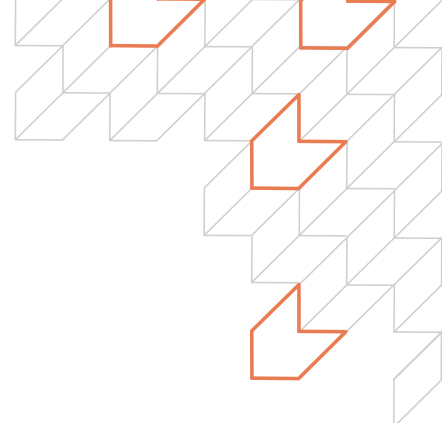
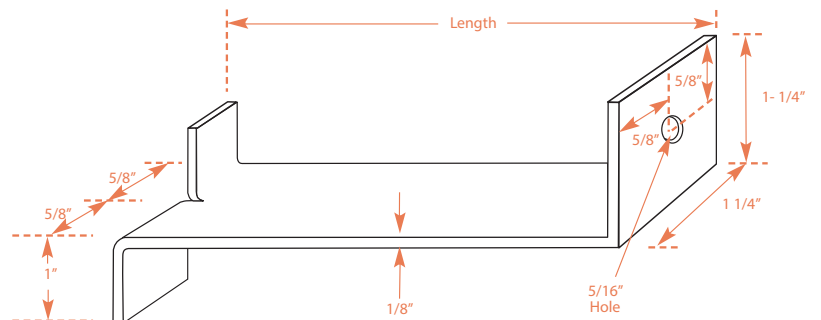
Z-Strap Anchor

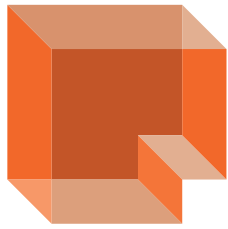
| Catalog Number | Length |
|-----------------|--------|
| 62030-200N125S4 | 2" |
| 62030-300N125S4 | 3" |
| 62030-400N125S4 | 4" |
| 62030-500N125S4 | 5" |
| 62030-600N125S4 | 6" |
| 62030-700N125S4 | 7" |
| 62030-800N125S4 | 8" |



Split Tail-Strap Anchor

| Catalog Number | Length |
|-----------------|--------|
| 62010-100N125S4 | 1" |
| 62010-200N125S4 | 2" |
| 62010-300N125S4 | 3" |
| 62010-400N125S4 | 4" |
| 62010-500N125S4 | 5" |
| 62010-600N125S4 | 6" |
| 62010-800N125S4 | 8" |





PROSOCO

You. Us. The project.

